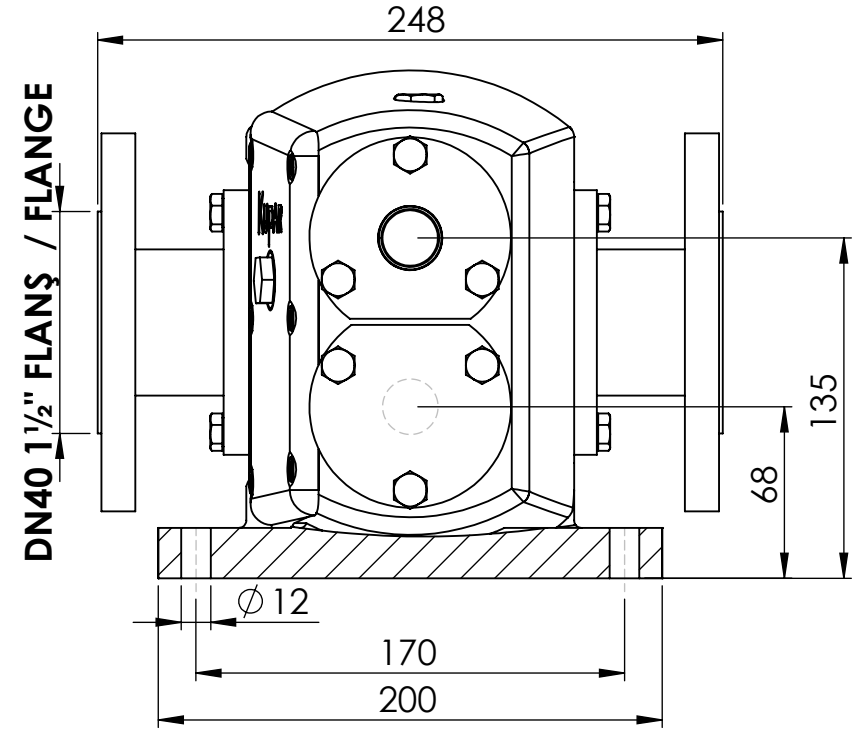
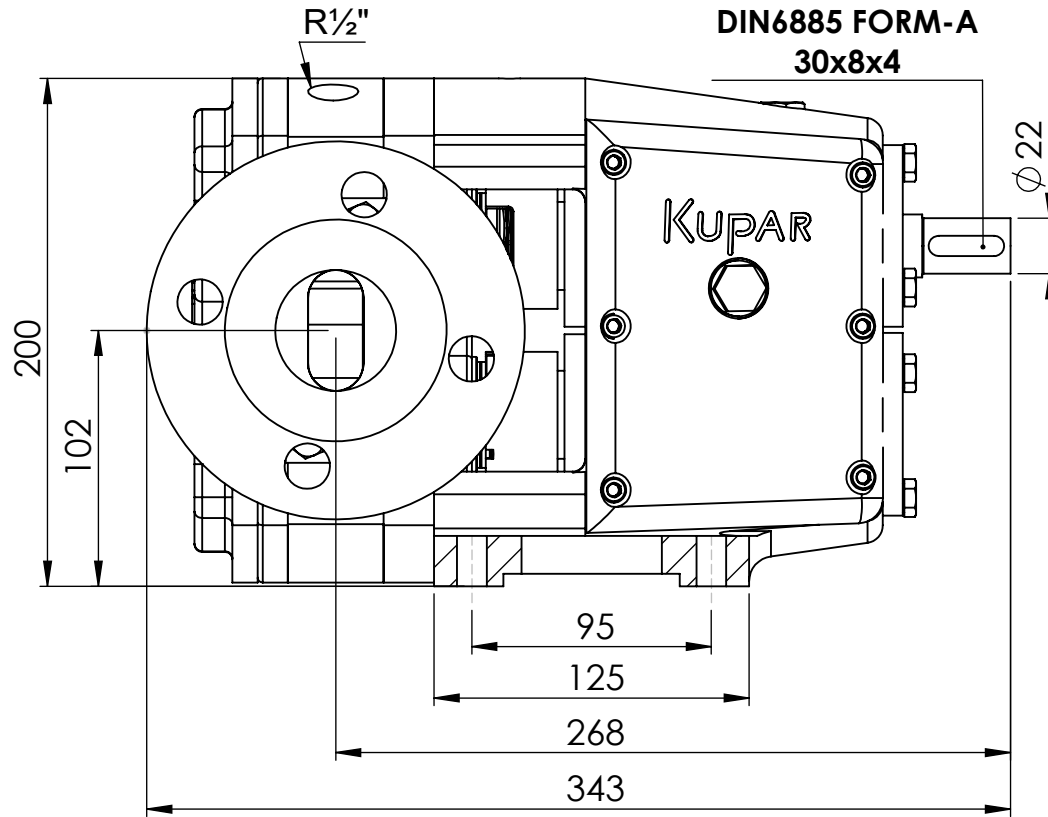


	İSİM / NAME	NOTLAR / NOTES
ÇİZEN / DRAWN	MUSTAFA KÜÇÜKPARMAK	BU TEKNİK RESİMDEKİ TÜM BİLGİNİN MÜLKİYETİ KUCUKPARMAK MUH.SAN.TIC.LTD.ŞTİ AİTTİR. YAZILI İZİN OLMADAN, KISMEN YADA TAMAMEN ÇOĞALTMALAR YAPMAK YASAKTIR.
DENETLEYEN / CONTROLLED	HARUN POLAT	
ONAY / APPROVED	BAŞAR KÜÇÜKPARMAK	ALL INFORMATION IN THIS TECHNICAL DRAWING PROPERTY KUCUKPARMAK MUH.SAN.TIC.LTD.ŞTİ IT BELONGS. WITHOUT WRITTEN PERMISSION, PARTIALLY OR COMPLETELY REPRODUCTIONS ARE PROHIBITED.
REVİZYON TARİHİ / DATE OF REVISION	27.12.2022	

PARÇA ADI / PART NAME:

KLP1 1/2"
LOBLU POMPA
LOBE PUMP





	İSİM / NAME	NOTLAR / NOTES
ÇİZEN/ DRAWN	MUSTAFA KÜÇÜKPARMAK	BU TEKNİK RESİMDEKİ TÜM BİLGİNİN MÜLKİYETİ KUCUKPARMAK MUH.SAN.TIC.LTD.ŞTİ AİTTİR. YAZILI İZİN OLMADAN, KISMEN YADA TAMAMEN ÇOĞALTMALAR YAPMAK YASAKTIR.
DENETLEYEN / CONTROLLED	HARUN POLAT	
ONAY / APPROVED	BAŞAR KÜÇÜKPARMAK	ALL INFORMATION IN THIS TECHNICAL DRAWING PROPERTY KUCUKPARMAK MUH.SAN.TIC.LTD.ŞTİ IT BELONGS. WITHOUT WRITTEN PERMISSION, PARTIALLY OR COMPLETELY REPRODUCTIONS ARE PROHIBITED.
REVİZYON TARİHİ / DATE OF REVISION	27.12.2022	

PARÇA ADI / PART NAME:

KLP1½"
LOBLU POMPA
LOBE PUMP

