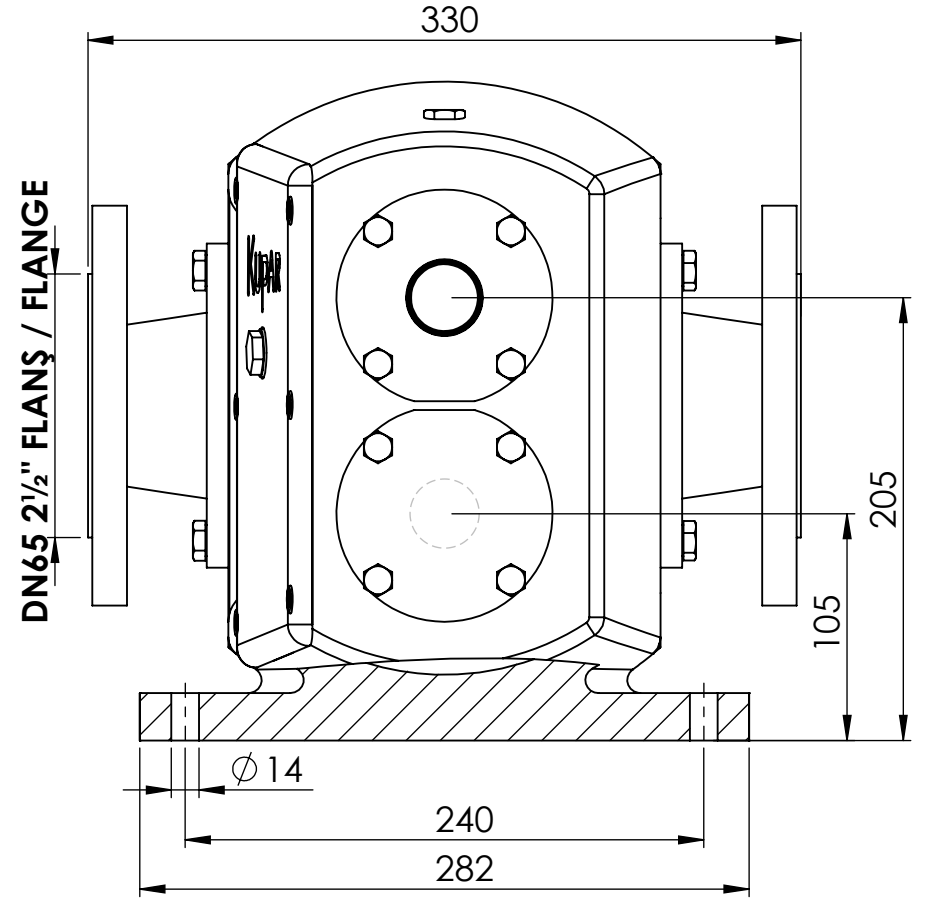
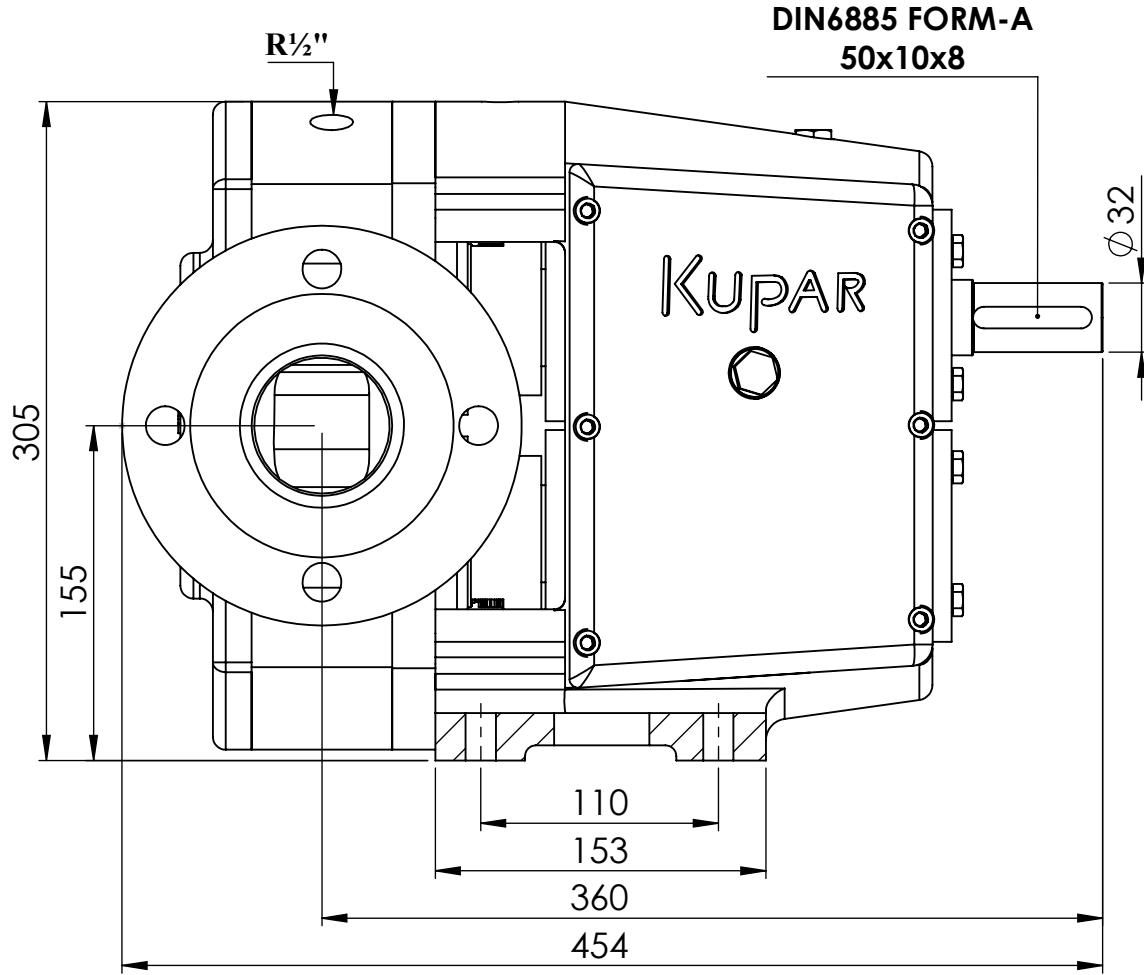



	İSİM / NAME	NOTLAR / NOTES	PARÇA ADI / PART NAME:
ÇİZEN / DRAWN	MUSTAFA KÜÇÜKPARMAK	BU TEKNİK RESİMDEKİ TÜM BİLGİNİN MÜLKİYETİ KUCUKPARMAK MUH.SAN.TIC.LTD.ŞTİ AİTTİR. YAZILI İZİN OLMADAN, KISMEN YADA TAMAMEN ÇOĞALTMALAR YAPMAK YASAKTIR.	<b>KLP2<math>\frac{1}{2}</math>''</b> <b>LOBLU POMPA</b> <b>LOBE PUMP</b>
DENETLEYEN / CONTROLLED	HARUN POLAT		
ONAY / APPROVED	BAŞAR KÜÇÜKPARMAK	ALL INFORMATION IN THIS TECHNICAL DRAWING PROPERTY KUCUKPARMAK MUH.SAN.TIC.LTD.ŞTİ IT BELONGS. WITHOUT WRITTEN PERMISSION, PARTIALLY OR COMPLETELY REPRODUCTIONS ARE PROHIBITED.	
REVİZYON TARİHİ / DATE OF REVISION	13.09.2022		





	İSİM / NAME	NOTLAR / NOTES	PARÇA ADI / PART NAME:	
ÇİZEN / DRAWN	MUSTAFA KÜÇÜKPARMAK	BU TEKNİK RESİMDEKİ TÜM BİLGİNİN MÜLKİYETİ KUCUKPARMAK MUH.SAN.TIC.LTD.ŞTİ AİTTİR. YAZILI İZİN OLMADAN, KISMEN YADA TAMAMEN ÇOĞALTMALAR YAPMAK YASAKTIR.  ALL INFORMATION IN THIS TECHNICAL DRAWING PROPERTY KUCUKPARMAK MUH.SAN.TIC.LTD.ŞTİ IT BELONGS. WITHOUT WRITTEN PERMISSION, PARTIALLY OR COMPLETELY REPRODUCTIONS ARE PROHIBITED.	<b>KLP2 1/2"</b> <b>LOBLU POMPA</b> <b>LOBE PUMP</b>	
DENETLEYEN / CONTROLLED	HARUN POLAT			
ONAY / APPROVED	BAŞAR KÜÇÜKPARMAK			
REVİZYON TARİHİ / DATE OF REVISION	13.09.2022			